

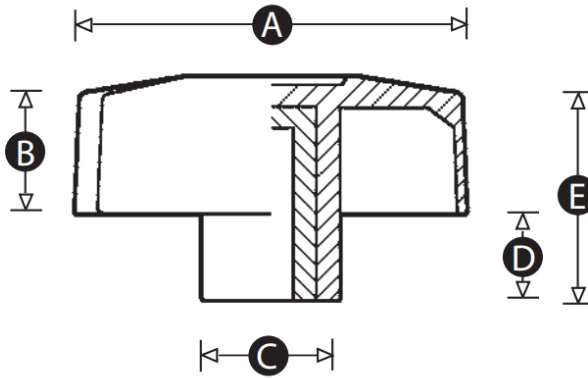
G10FPK Female Tristar Knob

Features

- Superstrong yet lightweight, can withstand arduous industrial use

Material

- Body: High impact resistant thermoplastic, matt black finish
- Insert: Brass or zinc plated steel



Part No.	A	B	C	D	E	Thread Size	Insert Material
G10FPK-8974X	28	11	11	6	17	M5	Brass
G10FPK-5106P						M6	Brass
G10FPK-5106P-AL						M6	Aluminium
G10FPK-8975T	40	12	15	8	20	M6	Brass
G10FPK-15172S						M6	Zinc plated steel
G10FPK-9505W						M8	Brass
G10FPK-15173Z	M8	Zinc plated steel					
G10FPK-11532V	50	15	15	9	24	M6	Brass
G10FPK-8967S						M8	Brass
G10FPK-8967S-AL						M8	Aluminium
G10FPK-4834T	60	18	19	12	30	M8	Brass
G10FPK-4834T-AL						M8	Aluminium
G10FPK-8963X						M10	Brass
G10FPK-15180T						M8	Zinc plated steel